

TURBO-SEAL[®] INSULATED

HIGH PERFORMANCE INSULATED ROLLING DOOR

Simply the World's Fastest, Most Energy Efficient, Insulated Door

With an average speed of over 101 inches per second and an extraordinary insulating capacity, the Turbo-Seal Insulated door is the definitive solution for cold storage environments. The revolutionary door is built on the proven Turbo-Seal platform for unmatched reliability and lasting performance.

Extremely Fast and Quiet - Peak speed of 182" per second with an unrivaled average speed of 101" per second - the highest average opening speed of any insulated roll door available.

Total Digital Control - The highly advanced System 4™ door controller enables precise door positioning, infinite speed adjustments and total control of all door functions.

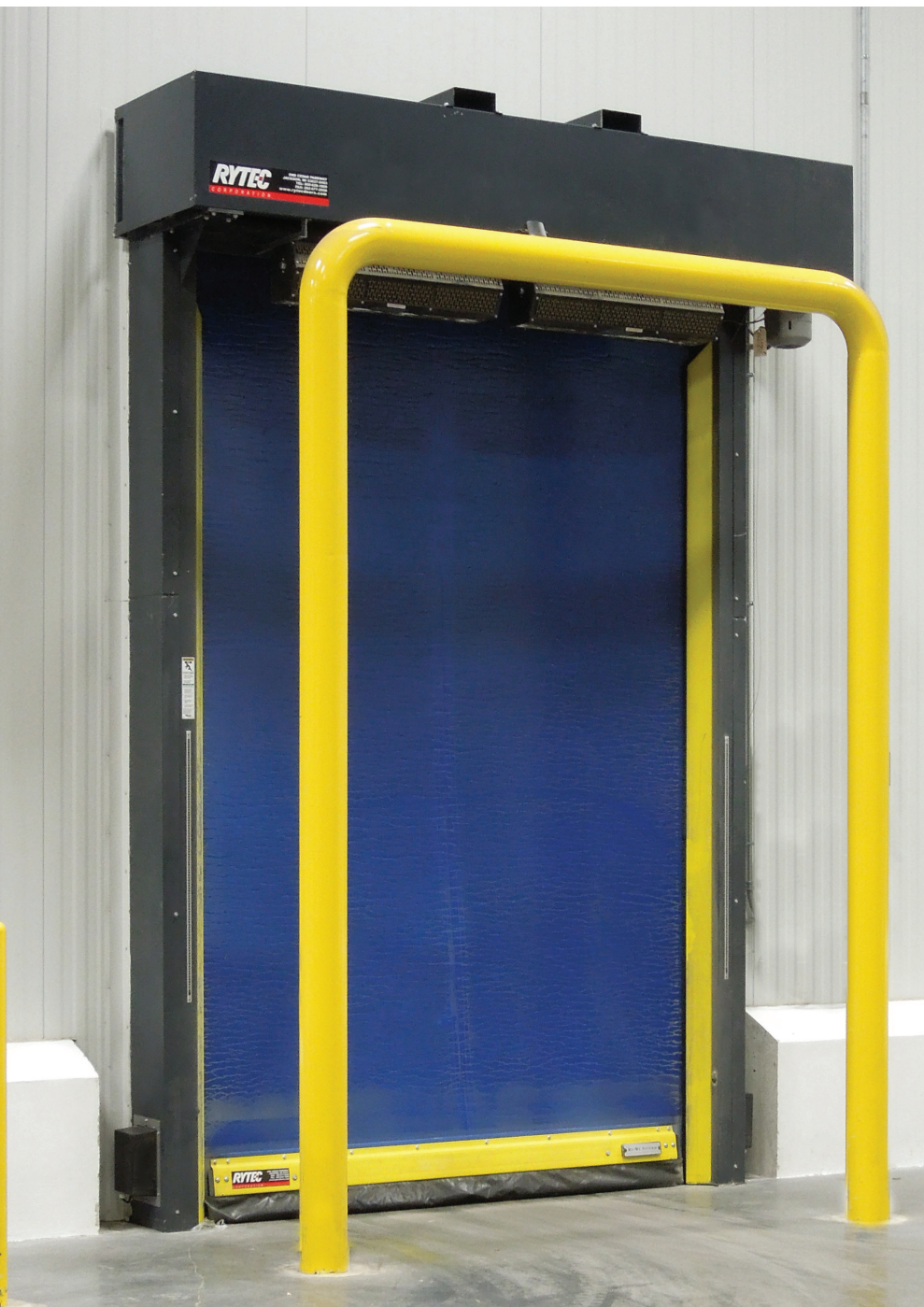
Rilon™ Thermal (2.0) Panel - One-inch thick, closed-cell foam panel is laterally-rigid and vertically flexible. Non-porous, moisture-proof vapor barrier for uniform performance.

Perimeter Seals - Quad Seals™ in the side columns provide double seals on the front and back of the panel. Double brush seals combined with the idler barrel, seal the top of the door. The vinyl loop creates a tight seal along the bottom of the door.

Thermal Breaks - Total thermal breaks built into the header, side columns and bottom bar minimize conductive thermal energy transference.

Self-Repairing - Upon impact, the self-repairing system automatically resets and restores the door panel in just seconds-without any human intervention.

Safe - Thru-beam photo eyes and a pneumatic reversing edge are standard. Standard threshold warning lights indicate when door is closing. Ry-Wi™ wireless eliminates cords attached to bottom bar and enables continuous and uninterrupted safety communications.



TURBO-SEAL® INSULATED

HIGH PERFORMANCE INSULATED ROLLING DOOR

Model Name

- Rytec® Turbo-Seal® Insulated Rolling Door

Size and Dimensions

- Up to 12'W x 16'H
- 40.5" headroom above lintel • 13" side column projection
- 29" head projection • 5.50" side column width
- 16.5" side clearance, motor side
- 11.5" side clearance, non-motor side
- Motor placement on right or left

Self-Repairing

- Panel Break-Away™ after impact from either direction
- Instantly self-repairs and resets automatically
- No human intervention or door downtime

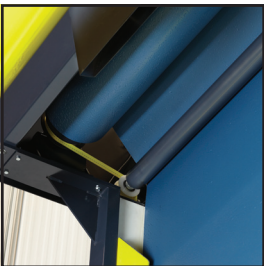
Available Options

- Single Source Transformer

Warranty

- One year limited warranty on materials and workmanship.
- Lifetime warranty on counterweights.

Engineered for Speed

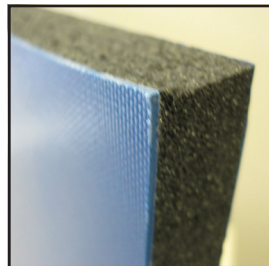


Idler barrel enables higher speeds, smoother motion, and a tighter seal along the top.

- 101" per second *average* opening speed (based on 16' door opening in 1.9 seconds).
- 182" per second peak speed.
- Counterbalance with heavy duty straps assist motor and reduces energy consumption.

Rilon Thermal (2.0) Panel

- 1" thick insulated panel.
- Three-layer sandwich consisting of Rilon, closed-cell foam & urethane.
- Uniform thermal performance from edge-to-edge.
- No heat-sealed pockets, stitching, spun insulation or quilted pads.



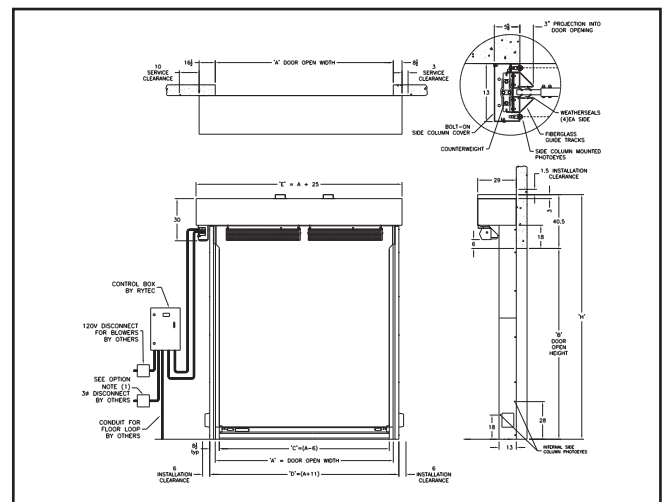
Revolutionary Rilon Thermal (2.0) Panel

Electrical Controls



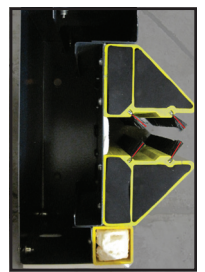
System 4 shown with optional rotary disconnect

- System 4™ controller housed in a NEMA 4X rated enclosure with factory set parameters.
- Intelligent processor monitors and controls power consumption.
- Advanced self-diagnostics for troubleshooting.



Thermal Breaks and Perimeter Seals for Total Control

- Structurally integrated thermal breaks prevent energy transference.
- Thermal breaks are located in header, side columns and bottom bar.
- Quad Seals™ provide dual brush seals on both sides of the door panel.
- Vinyl loop seals bottom edge.
- Plastic composite bottom bar eliminates conduction.



Thermal breaks in side column along with quad seals (red highlights)

Energy Efficient for Energy Savings



Bottom loop provides a tight seal

- Thermal panel, tight seals and thermal breaks dramatically reduce energy required for defrosting.
- High-efficiency electric motor uses less energy.
- High-efficiency blowers and defrost options available.

Safety

- Standard dual thru-beam photo eyes.
- Standard sensitivity-adjustable pneumatic reversing edge.
- Standard Ry-Wi™ Wireless System
- Standard Pathwatch™ threshold warning lights.



Pathwatch Safety Light System indicates door closing



888-GO-RYTEC RytecDoors.com
Tel 262-677-9046 Fax 262-677-2058
One Cedar Parkway Jackson, WI 53037-0403